



KONICA MINOLTA

ImagePilot
Sigma

with

*in*formity

The All-in-One Digital Radiography Solution for Veterinarians

Konica Minolta puts all the pieces together

- ▶ Patient Registration
- ▶ Image Review
- ▶ Long Term Archive
- ▶ Web Based Collaboration
- ▶ Cloud Based Backup and Disaster Recovery
- ▶ Anti Virus Protection
- ▶ Information Portal

Giving Shape to Ideas

Nothing makes your transition to digital

The **ImagePilot** all-in-one solution simplifies your imaging workflow.

Image Acquisition

Register



Perform



View



- Three step workflow
- No need to specify body part or exam type

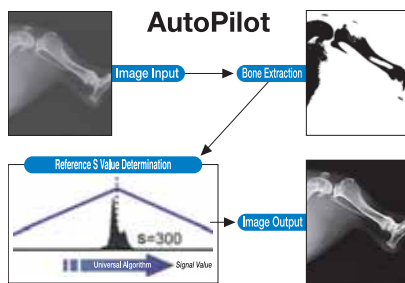
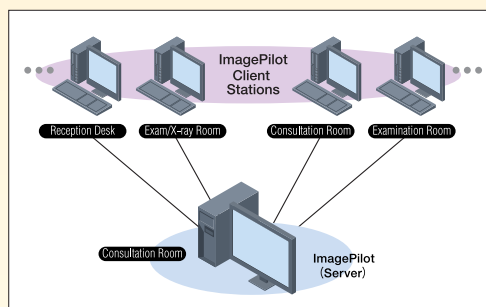


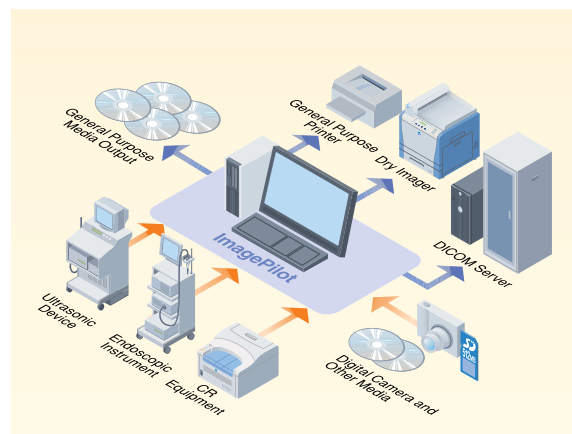
Image Quality

- AutoPilot automatic image processing – Consistent image quality with every image
- Compensates for exposure variability
- Learns your image quality preferences



Distributed Workflow

- Up to six additional concurrent users shared by up to 19 client stations
- Register at reception
- Review with patients in exam rooms
- Diagnose in private office



Versatility and Expandability

- Write to CD/DVD
- Print to paper or film
- Store to remote PACS
- Import from media or other modalities
- Create reports
- Storage expansion options

easier... or more secure.

Informity completes the imaging cycle with cloud-based features that increase your digital productivity and protect your data.



Data Bank – Automatic Backup with Reference Viewing

- Continuous automatic data backup
- Off-site disaster recovery service
- Web-based reference viewing
- Secure and reliable
- Monitor storage capacity via the Portal



Web-based Collaboration

- Share patient studies with other veterinarians
- Automatic email notifications
- Secure, web-based viewer – zero footprint
- Exchange comments; add reports, prior images or other documents



REGIUS Sigma Desktop CR Reader

- Lightweight – only 62 lbs.
- Compact – just 20W x 14H x 24"D
- 25 or 45 cassettes per hour (14 x 17")
- Ultra low power – only 100VA

Konica Minolta Managed

- Our own servers
- Extremely secure data center
- 24/7 security and server monitoring



Personalized Portal Site

- New features and news for ImagePilot and Informity
- Industry news
- ImagePilot information and on-line user manual
- FAQs, Service History, Software release notes

ImagePilot Sigma Specifications*

REGIUS Sigma CR Reader

| | |
|--------------------------------|---|
| Cassette Sizes | 14"x17"/14"x14"/11"x14"/10"x12"/8"x10" 18x24cm/24x30cm/15x30cm |
| Sampling Pitch | 87.5/175 micron |
| Maximum Resolution | 4020 x 4892 |
| Digital Gradation Level | 4096 levels |
| Throughput | 25 or 45 plates per hour (14" x 17") |
| Outer Dimensions | 24D" x 20W" x 14H" |
| Weight | 62 lbs. |
| Power Consumption | 100VA during operation; 20VA in standby |

Imaging Station

| | |
|----------------------------|--------------------------------------|
| Server Platform | Desktop |
| Hard Drive Capacity | 500GB (1x500GB) |
| RAM | 4GB |
| OS | Windows 7 Professional 32-bit |
| Display Options | 19" HP LCD, 23" Eizo Multi-Touch LCD |

Available Software Features (included features vary with each model)

| | |
|-----------------------------|---|
| Patient Registration | Manual data entry or through worklist provider (DICOM MWL or HL7) |
| Image Acquisition | AutoPilot automatic image processing Import images from CD/DVD, USB or folder – DICOM, PDF or JPEG |
| Basic Viewing Tools | Window/Level, Viewing Size, Invert, Magnifier, Pan/Zoom, Rotate/Flip |
| Annotation Tools | Line, Arrow, Free Form, Rectangle, Polygon, Ellipse, Free Text, Preset Markers |
| Analysis Tools | Distance, Angle, Vertebral Heart Score, Norberg Angle, Femoral Head Coverage, Area |
| Image Output | Export images to media (JPEG, DICOM), Export images to CD/DVD with with DICOM viewer (PDI), Print – Windows paper printer or DICOM film printer, DICOM Store to other PACS (up to 10 targets) |
| Distributed Workflow | Maximum of seven concurrent users (including the server), Maximum of 19 authorized client computers, Image compression for remote client connections |
| DICOM Connectivity | DICOM Store, DICOM Print, DICOM Modality Worklist (SCU), DICOM Query/Retrieve (SCU & SCP) |
| HL7 Connectivity | HL7 messaging – inbound patient reception and outbound result messaging |
| QA/QC | Simplecheck Quality Acceptance and Quality Control testing on ImagePilot CR |
| Long Length Imaging | Image stitching for long length imaging – two or three image stitch Single or multiple exposure options |

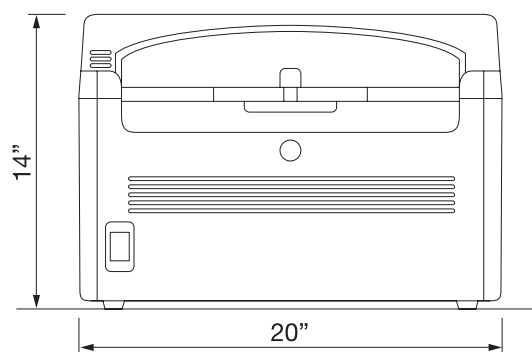
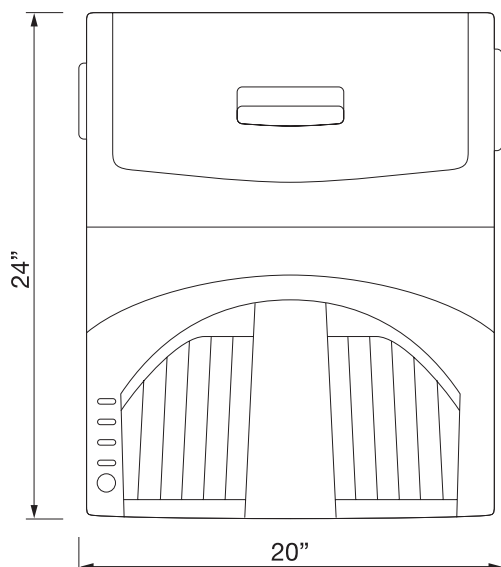
*Specifications are subject to change without notice.

Informity Plan Specifications

| Plan | Estimated Annual Studies | Data Bank Annual Allotment | Collaboration Space |
|----------------|--------------------------|----------------------------|---------------------|
| Informity 1500 | 1,500 | 65GB | 100MB |
| Informity 3000 | 3,000 | 130GB | 150MB |
| Informity 10K | 10,000 | 430GB | 200MB |

| | |
|----------------|---|
| Security Level | Extended validation (EV) secure socket layer (SSL), Certificate connection, Strong 256-bit encryption, 2048-bit root |
|----------------|---|

ImagePilot Sigma Dimensions



Minimum Specifications for ImagePilot Client PCs:

Computer: Pentium IV 2.66GHz, 2GB RAM, 160GB, CD/DVD RW
Display: Minimum resolution of 1280 x 1024
OS: Windows XP PRO SP2 or SP3, Vista, Windows 7 (32-bit or 64-bit)

Note: Increased PC specifications may be recommended when other software applications are also in use on the same PC.

Antivirus software is recommended but should be set in accordance with Konica Minolta's Antivirus Policy and Installation Guidelines for optimum performance.

Konica Minolta's Commitment to Customer Satisfaction

At Konica Minolta, your complete satisfaction is our number one goal. From pre-installation through the lifetime of your investment, our professional staff provides the technical expertise you need. Project Management, Applications Training, and Field Services are different teams of Konica Minolta professionals that work together to maintain your continued satisfaction over the lifetime of your investment.

Maximize your investment in CR equipment by selecting the right Blue Moon CR Lifecycle Products and Customer Satisfaction Agreements to ensure the ongoing operational excellence and productivity that your department needs.



KONICA MINOLTA

KONICA MINOLTA MEDICAL IMAGING USA, INC.
411 NEWARK POMPTON TURNPIKE
WAYNE, NJ 07470
TEL: (973) 633-1500 FAX: (973) 523-7408
WEBSITE: medical.konicaminolta.us